

RP123



RP123 is a co-polymer, door bottom weather seal with a concealed fix aluminium threshold plate. RP123 easily fits to the bottom of a door where maximum weather protection is required.

Quick and easy to install to both door and sill. RP123 is fitted to the square cut bottom of a door provided there is a gap of 19 - 20mm for a flat sill or 12 - 13mm for a rebated sill prior to installation.

Location: Bottom of single and double butt hinged doors with rebated or flat sills.

Min/Max Gap: Flat sill: 19mm to 20mm. Rebated sill: 12mm to 13mm.

Finish: Satin clear (silver) or bronze anodised aluminium (25µm) threshold plate.

Fixing: Concealed screw fix. Zinc plated, cross recess head S.T. screws and cover strip supplied. Fixing holes are pre-punched. Threshold plate can be screwed or fastened with builders adhesive for a concealed fix.

Seal: Light grey rigid PVC body with dark grey flexible PVC seal or, brown rigid PVC body with black flexible PVC seal.

Sizes: 1750mm, 926mm, 826mm.

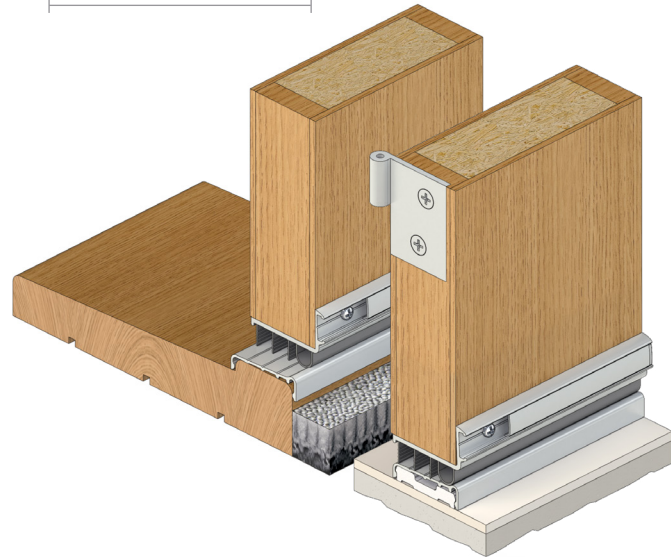
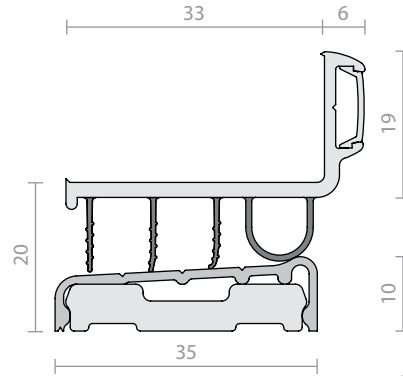
Approvals

Access & Mobility NZ: NZ BC Compliance Doc. D1/AS1 1.3.2.

Energy: NCC Pt. 3.12.3.3 & J3.4.

Durability: Tested to over 500,000 operating cycles without failure.

Patented, Registered Design.



RP129F



A heavy duty medium temperature smoke door bottom seal. The seal is achieved by a pair of nylon brush strips with a medium temperature smoke barrier.

The seal can be checked out or drilled to accommodate the pivot, thereby providing a continuous seal.

Can be used in conjunction with RP130Si, other Raven perimeter seals and threshold plates.

Location: Bottom of double butt hinged or centre pivot double acting doors.

Min/Max Gap: 15mm to 18mm.

Finish: Satin clear (silver) anodised aluminium (15µm) or paint at extra cost.

Fixing: Screw fix. Zinc plated, cross recess head S.T. screws supplied.

Seal: RP52F. Black fine and dense nylon filaments, UV stabilised medium temperature smoke barrier fin and galvanised steel spine.

Sizes: Available in stock lengths.

Approvals

Fire: Brush Strip flammability index 1 when tested to AS1530.2.

Smoke: NCC Spec. C3.4. NZ BC Compliance Doc. C/AS1 6.19.2(b). AS1530.7 & BS EN 1634-3 (similar to BS 476 section 31.1). Meets smoke leakage rates specified in AS6905 & EN 13501-2 "Sa", "Sm".

Energy: NCC Pt. 3.12.3.3 & J3.4.

Durability: Tested to over 1,000,000 operating cycles without failure.

Patented, Registered Design.

